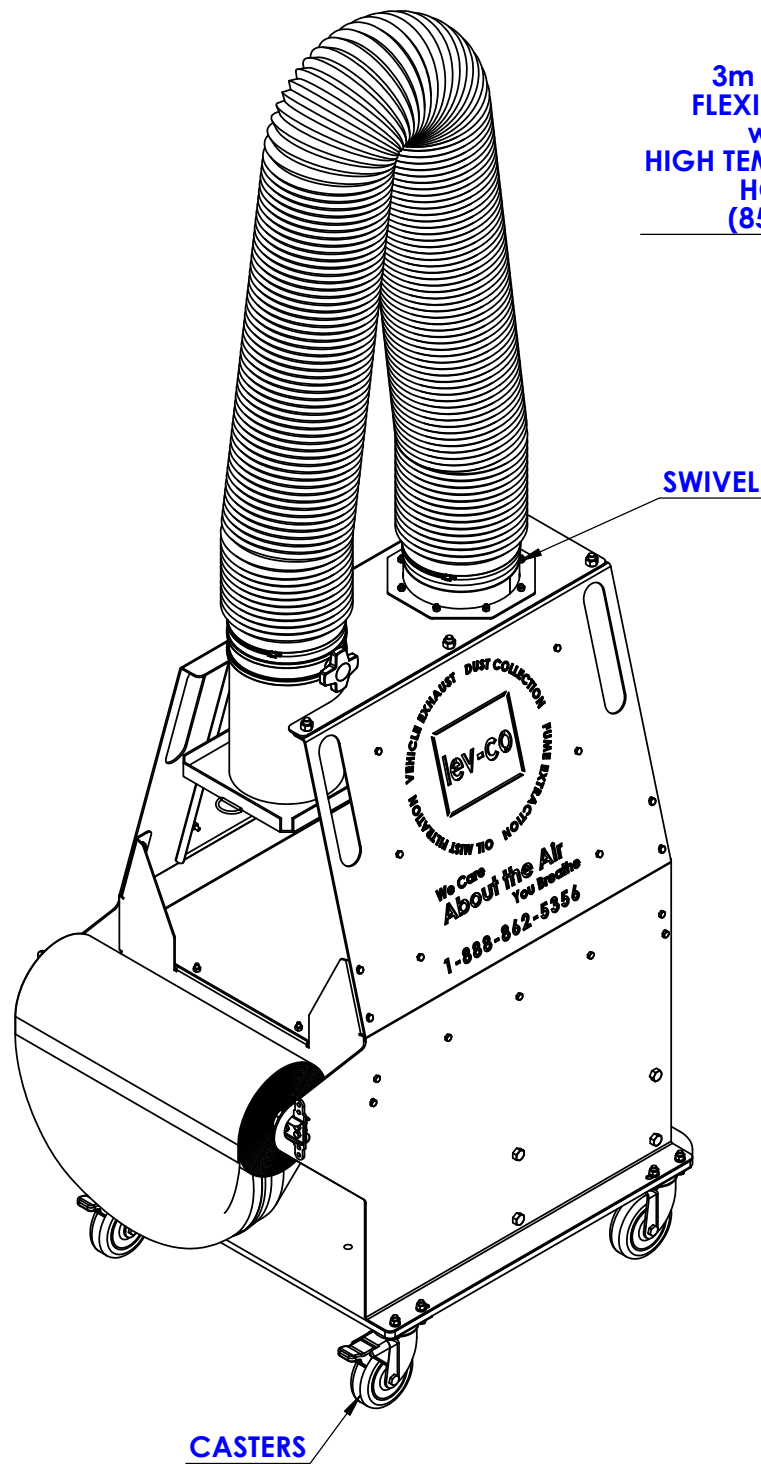
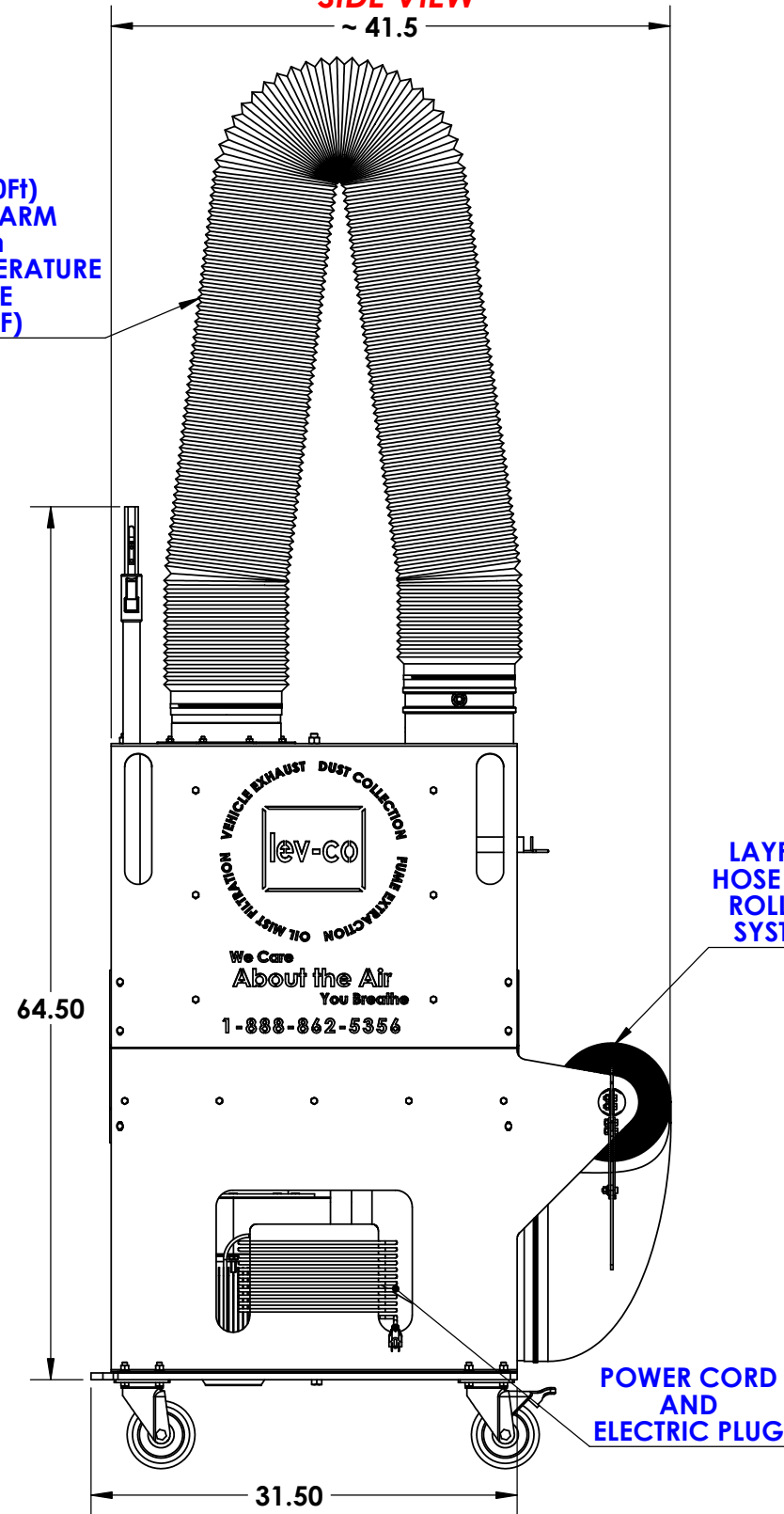


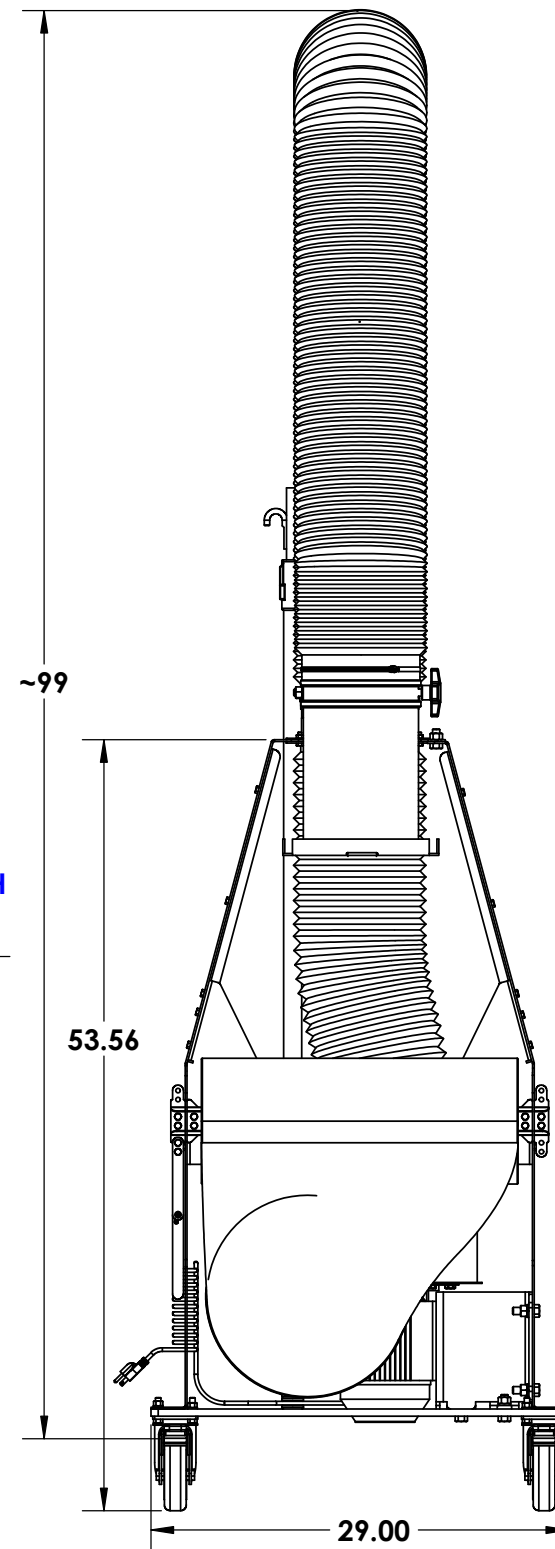
**ISOMETRIC VIEW**



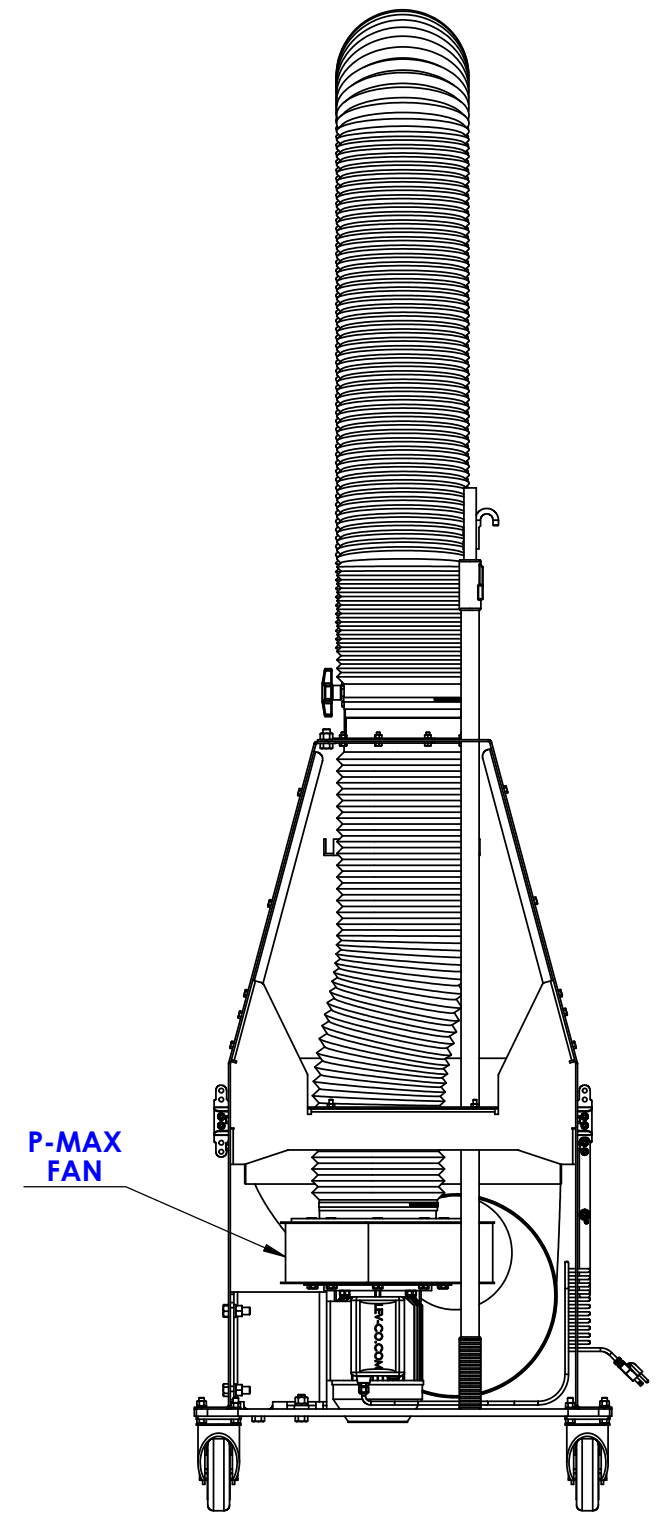
**SIDE VIEW**



**FRONT VIEW**



**REAR VIEW**



CUSTOMER:
CUSTOMER P.O.:
PROJECT:
ENGINEER:
SALES REP.:
IDENTIFICATION / TAGGING:

> [www.lev-co.com](http://www.lev-co.com) • 1.888.862.5356

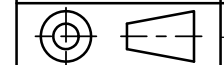


The device depicted and described hereon embodies proprietary information owned by the manufacturer. All design, manufacturing, reproduction, sales and patent rights regarding this device or drawing reserved except where explicit right is guaranteed in writing. We reserve the right to make design changes.

Drawn by:	Janos B
Date:	5/29/2014
Scale:	NTS
Weight:	N/A

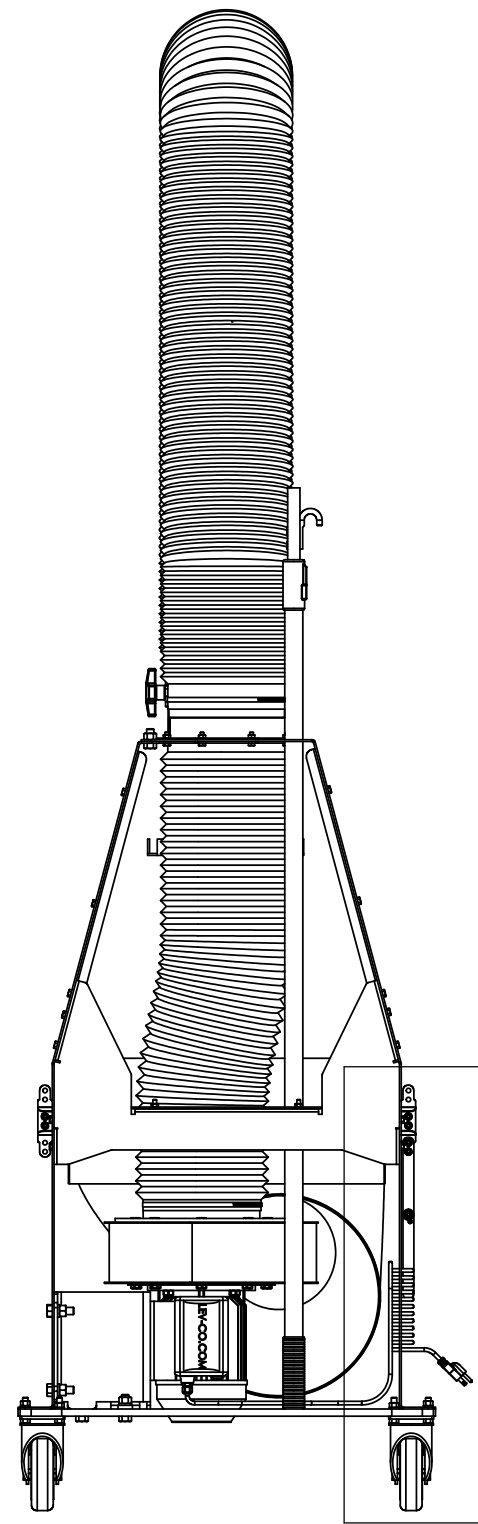
**P2D2-v3.0-00-R2**

Specification Drawing

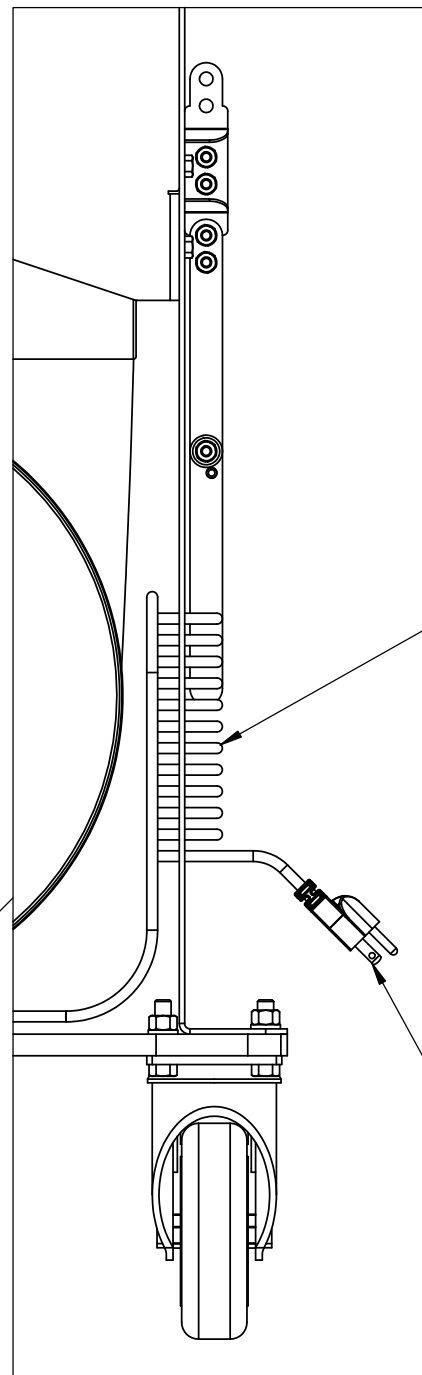


Drawing No.:	-	File Name:	P2D2-v3.0-00-R2 - SD
Material:	-	Sheet:	1/4

**END VIEW**



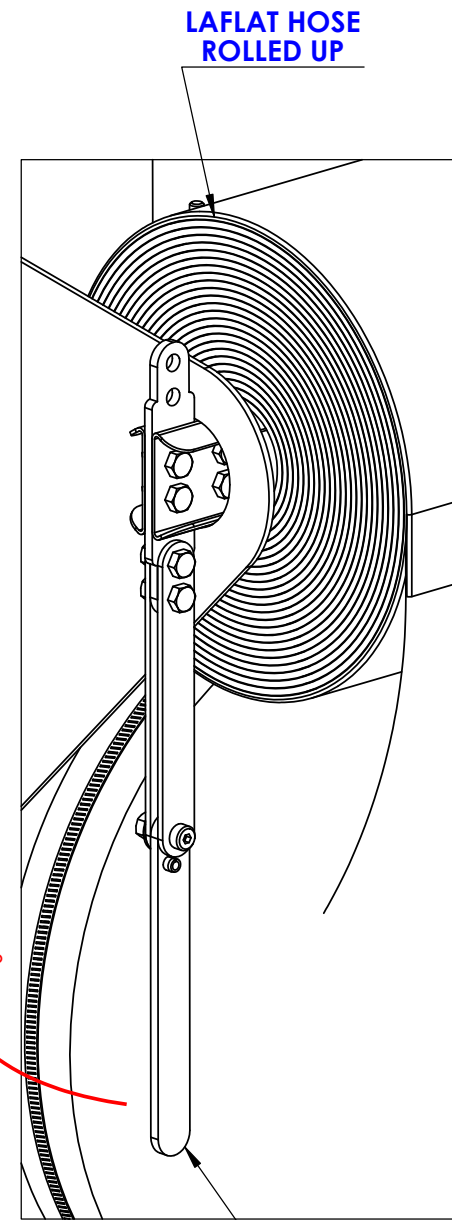
**DETAIL VIEW**



**CABLE STORAGE AREA**

**ELECTRIC PLUG INCLUDED**

**DETAIL VIEW**

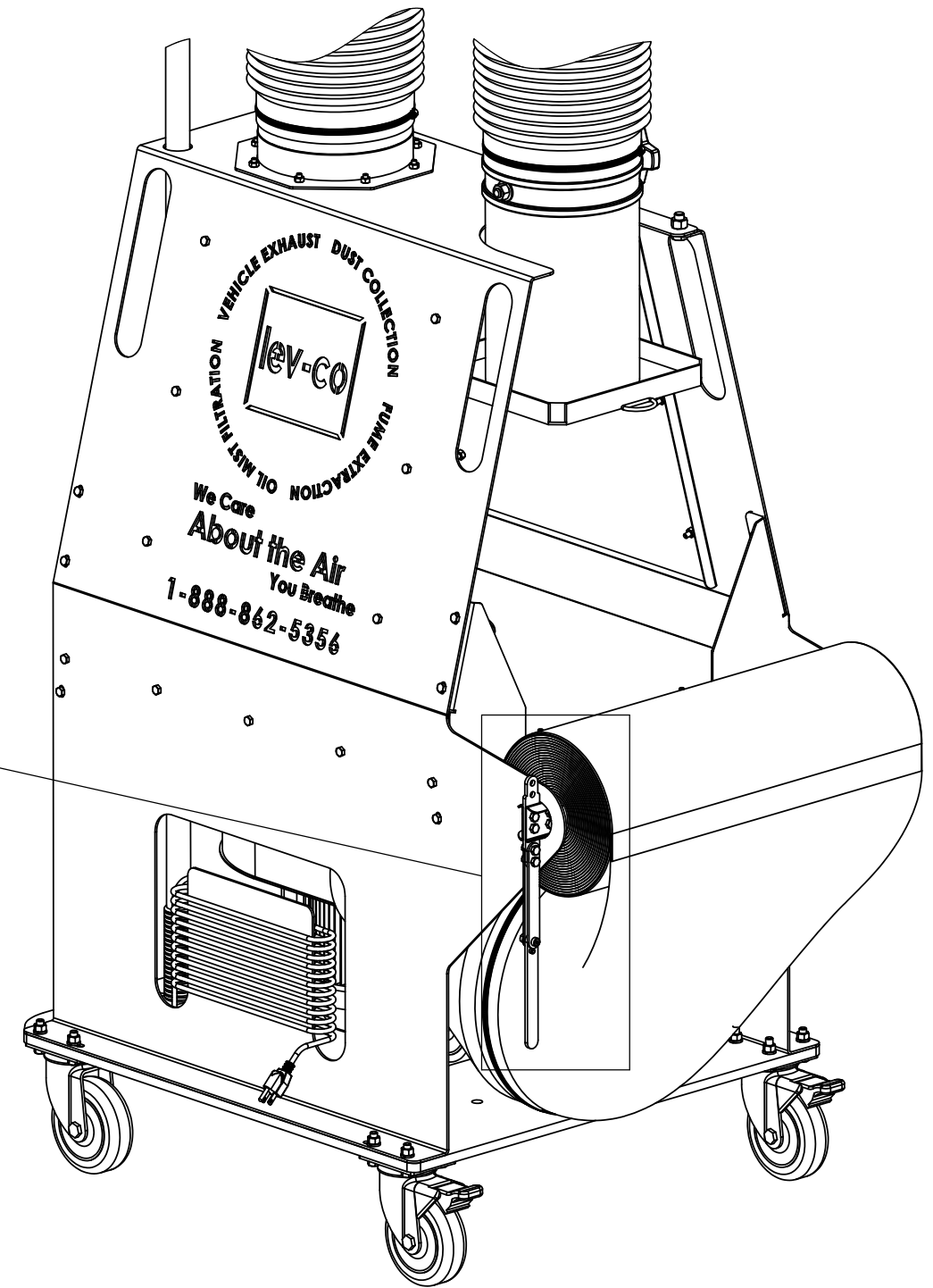


**LAFLAT HOSE ROLLED UP**

**90°**

**ROTATABLE HANDLE**

**LATFLAT HOSE STORAGE AREA - DETAIL VIEW**



CUSTOMER:
CUSTOMER P.O.:
PROJECT:
ENGINEER:
SALES REP.:
IDENTIFICATION / TAGGING:

[www.lev-co.com](http://www.lev-co.com) • 1.888.862.5356

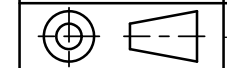


The device depicted and described hereon embodies proprietary information owned by the manufacturer. All design, manufacturing, reproduction, sales and patent rights regarding this device or drawing reserved except where explicit right is guaranteed in writing. We reserve the right to make design changes.

Drawn by:	Janos B
Date:	5/29/2014
Scale:	NTS
Weight:	N/A

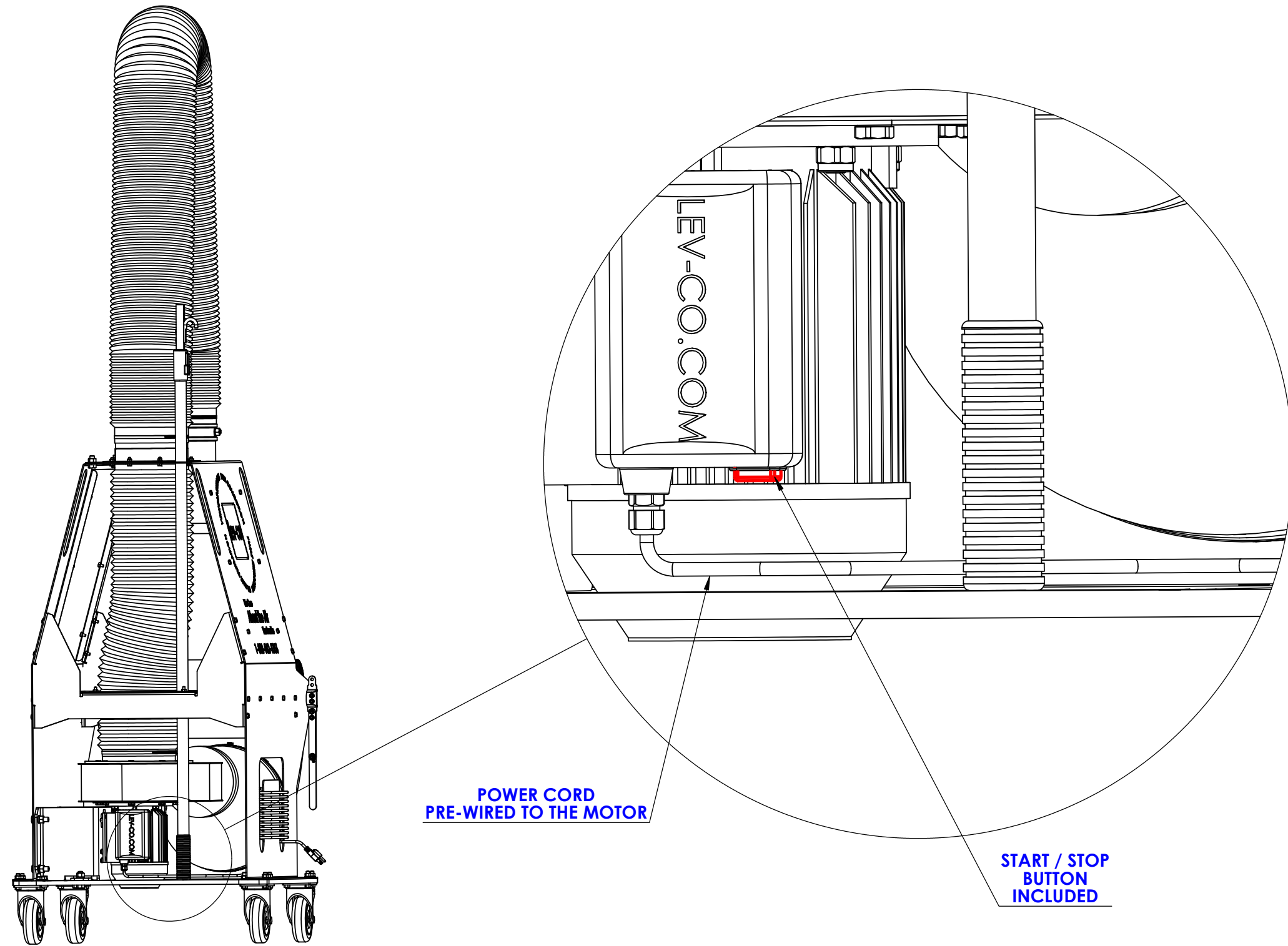
**P2D2-v3.0-00-R2**

**Specification Drawing**



Drawing No.:	-	File Name:	P2D2-v3.0-00-R2 - SD
SCALE	1 : 8	Sheet:	2/4

**MOTOR START / STOP - DETAIL VIEW**



CUSTOMER:
CUSTOMER P.O.:
PROJECT:
ENGINEER:
SALES REP.:
IDENTIFICATION / TAGGING:

> [www.lev-co.com](http://www.lev-co.com) • 1.888.862.5356



The device depicted and described hereon embodies proprietary information owned by the manufacturer. All design, manufacturing, reproduction, sales and patent rights regarding this device or drawing reserved except where explicit right is guaranteed in writing. We reserve the right to make design changes.

Drawn by:	Janos B
Date:	5/29/2014
Scale:	NTS
Weight:	N/A

<b>P2D2-v3.0-00-R2</b>	
Specification Drawing	
Drawing No.: -	File Name: P2D2-v3.0-00-R2 - SD
Material: -	Sheet: 3/4

## MODELS & OPTIONS

### Main System / Part Part #

[P2D2-R2-1.5HP](#)

### Description

Portable P2D2 base unit which comes with the following components:  
 3M (10') Flexi-II extraction arm  
 850 hose 200 mmØ (8)  
 1.1 KW (1.5 hp) fan  
 115V/1/60  
 12 Amp  
 Electric switch with overload protection bracket  
 15' Cable and plug  
 ESA (Electrical safety Authority) approved  
 5" dia. straight and locking caster  
 Handholds that double as lifting points when using an overhead crane  
 Safety rubber covers on all hose clamps wheels and exhaust hose  
 Positioning telescopic pole for positioning hood over Vertical tailpipe  
 7.5M (25') of 200 mm (8) diameter layflat 600 degree hose.

[P2D2-R2-3HP](#)

Portable P2D2 base unit which comes with the following components:  
 3M (10') Flexi-II extraction arm  
 850° hose 200 mmØ (8)  
 2.2 KW (3 hp) fan  
 230v-460v/3/60 (575v & 230v/1/60 available as option)  
 Electric switch with overload protection bracket  
 15' Cable  
 ESA (Electrical safety Authority) approved  
 5" straight and locking caster  
 Handholds that double as lifting points when using an overhead crane  
 Safety rubber covers on all hose clamps wheels and exhaust hose  
 Positioning telescopic pole for positioning hood over Vertical tailpipe  
 7.5M (25') of 200 mm (8") diameter layflat 600 degree hose.

[P2D2-R2-5HP](#)

Portable P2D2 base unit which comes with the following components:  
 3M (10') Flexi-II extraction arm  
 850 hose 200 mmØ (8)  
 5 hp fan  
 208,230,460,575V/3/60  
 Electric switch with overload protection bracket  
 15' Cable and plug  
 ESA (Electrical safety Authority) approved  
 5" straight and locking caster  
 Handholds that double as lifting points when using an overhead crane  
 Safety rubber covers on all hose clamps wheels and exhaust hose  
 Positioning telescopic pole for positioning hood over Vertical tailpipe  
 7.5M (25') of 16" diameter layflat 600 degree hose.

[P2D2-R2-10HP-1](#)

Portable P2D2 base unit which comes with the following components:  
**NOW COMES COMPLETE WITH HOSE RECOILER**  
**3M (10') Flexi-II extraction arm**  
**1500° hose 200 mmØ (8)**  
**7.5 KW (10 hp) fan**  
**230-460V/3/60 (575V available as option)**  
**Electric switch with overload protection bracket**  
**15' Cable, switch, overload and twist-lock plug**  
**ESA (Electrical safety Authority) approved**  
**Heavy Duty locking/swivel casters**  
**Handholds that double as lifting points when using an overhead crane**  
**Safety rubber covers on all hose clamps wheels and exhaust hose**  
**Positioning telescopic pole for positioning hood over Vertical tailpipe**  
**7.5M (25') of 350 mm (14) diameter "layflat" 1500 degree exhaust hose**  
**and recoil/storage reel**  
**Heat dissipation nozzle/hood for vertical stacks**

### Hose, Hood & Nozzle Options

#### Part #

#### Description

[LFD-16-25-HT](#)

25' Exhaust hose x 16"dia. - Lay Flat Ducting - for Portable Fan

[LFD-16-50-HT](#)

50' Exhaust hose x 16" dia. - Lay Flat Ducting - for Portable Fan

CUSTOMER:  
 CUSTOMER P.O.:  
 PROJECT:  
 ENGINEER:  
 SALES REP.:  
 IDENTIFICATION / TAGGING:

> [www.lev-co.com](http://www.lev-co.com) • 1.888.862.5356

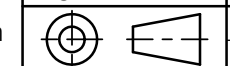
**lev-co**

The device depicted and described hereon embodies proprietary information owned by the manufacturer. All design, manufacturing, reproduction, sales and patent rights regarding this device or drawing reserved except where explicit right is guaranteed in writing. We reserve the right to make design changes.

Drawn by: Janos B  
 Date: 5/29/2014  
 Scale: NTS  
 Weight: N/A

**P2D2-v3.0-00-R2**

Specification Drawing



Drawing No.: -  
 Material: -  
 File Name: P2D2-v3.0-00-R2 - SD  
 Sheet: 4/4