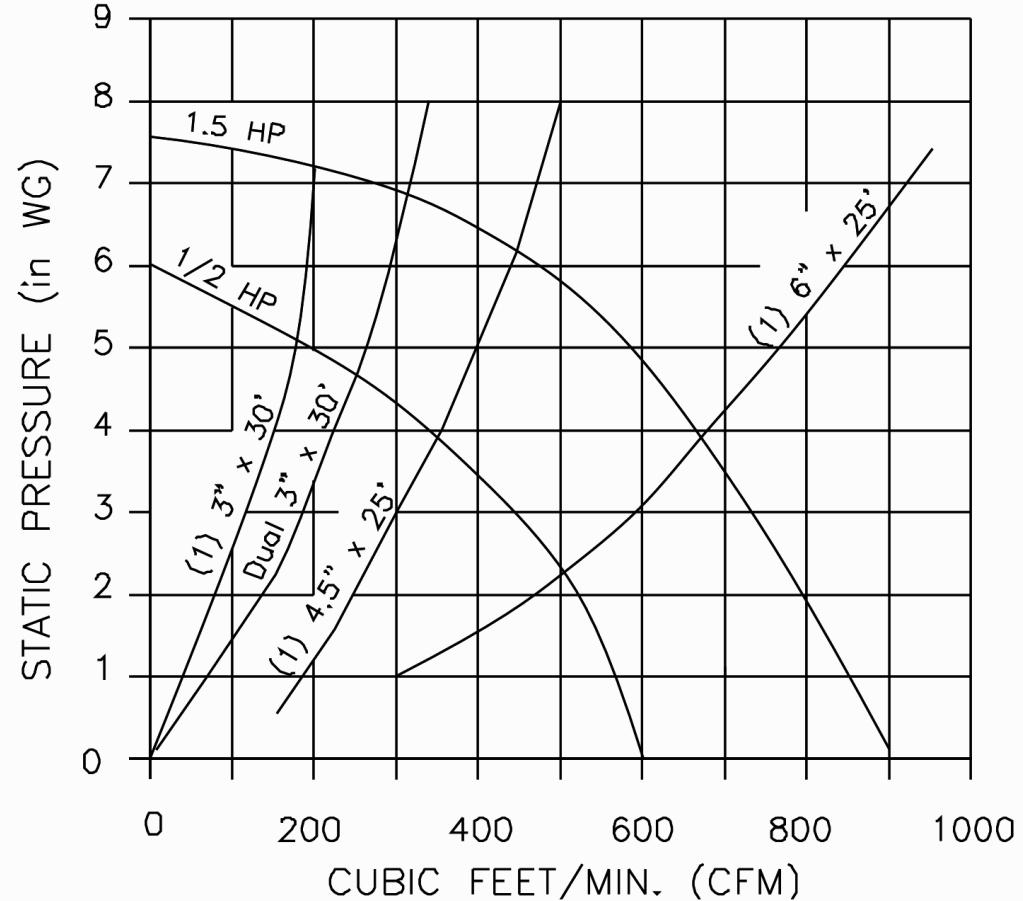


VES3-P-1/2HP SHOWN
PERFORMANCE CURVES



SPECIFICATIONS:

PORTABLE: 1/2 HP: Available with choice of 3"/4.5"/6" inlets to fit hoses of same diameter; includes tubular handle with rubber grip for rolling on 5" wheels. Choice of 1 or 3 phase motor/blower with powder coated metal parts; 115V units equipped with switch and 24 ft., 12 gauge power cord; 230/1ph and all 3 phase units utilize a motor electrical box for permanent wiring. See performance curves for operation with various hose diameters.
1.5 HP: Same as above except more powerful blower for improved performance; see performance curves below.

VES3-P-1/2HP Portable exhaust collection system consisting of a 1/2 HP TEFC motor/blower 115/1/60Hz with stand/mounting bracket, 8 feet of 6 inch outlet hose, 20 feet of 3 inch inlet hose, and a 3 inch twistlock tailpipe connector.

VES4-P-1/2HP Portable exhaust collection system consisting of a 1/2 HP TEFC motor/blower 115/1/60Hz with stand/mounting bracket, 8 feet of 6 inch outlet hose, 25 feet of 4.5 inch inlet hose, and a 4.5 inch oval tailpipe connector.

ELECTRICAL: 1/2 HP Radial blower 115/230/1/60 *
 1/2 HP Radial blower 208-230/460/575/3/60 *
 1.5 HP Radial blower 115/230/1/60 *
 1.5 HP Radial blower 208-230/460/575/3/60 *

* -(50 Hz motors available for worldwide use)

HOSE OPTIONS:

- 3" I.D. (10' increments) 20' std., 400' F std., 600' F opt.
- 4.5" I.D. (25' increments) 25' std., 275' F std., 600' F opt.
- 6" I.D. (25' increments) 25' std., 275' F std., 600' F opt.

ACCESSORY OPTIONS:

- 3" Tailpipe connector w/twistlock, 430' F
- 3" Oval tailpipe connector w/clamp and CO² port, 430' F
- 4.5" Oval tailpipe connector, 430' F
- 4.5" Oval tailpipe connector w/clamp and CO² port, 430' F
- 3" Rubber "Y" adapter, 3x3x3
- 3" Aluminum "Y" adapter, 2.5x2.5x3
- Stack cone with 6" inlet connection
- 5" Rubber diesel stack connector
- Starter, manual or magnetic
- 3" I.D. Dual tailpipe kit

FIRE SUPPRESSION: Equipment provided by others.

NOTES:

ITEMS DESIGNATED AS ARE INCLUDED IN THIS PROPOSAL.

CUSTOMER:
CUSTOMER P.O.:
PROJECT:
ENGINEER:
SALES REP.:
IDENTIFICATION / TAGGING:

> www.lev-co.com • 1.888.862.5356

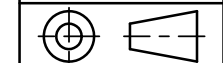


The device depicted and described hereon embodies proprietary information owned by the manufacturer. All design, manufacturing, reproduction, sales and patent rights regarding this device or drawing reserved except where explicit right is guaranteed in writing. We reserve the right to make design changes.

Drawn by: JANOS B
Date: 9/23/2013
Scale: NTS
Weight: N/A

14-08 Portable VES Fan

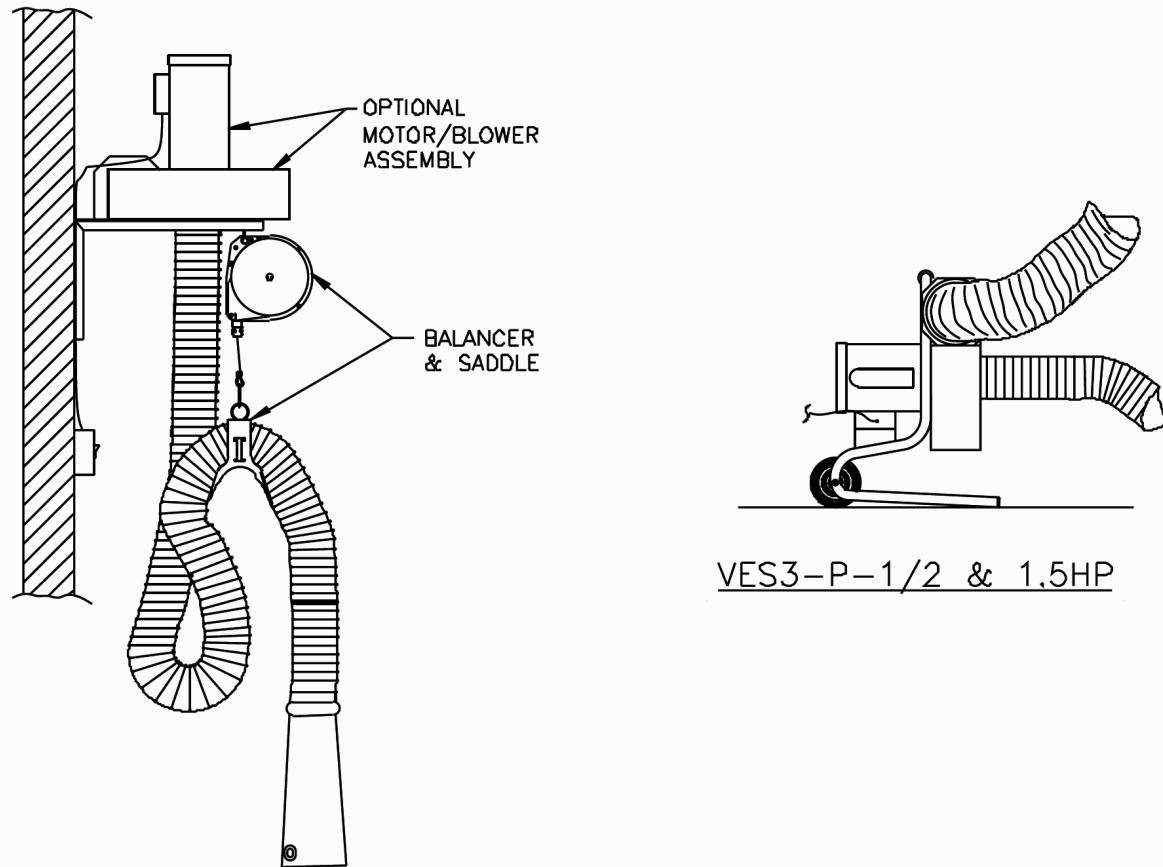
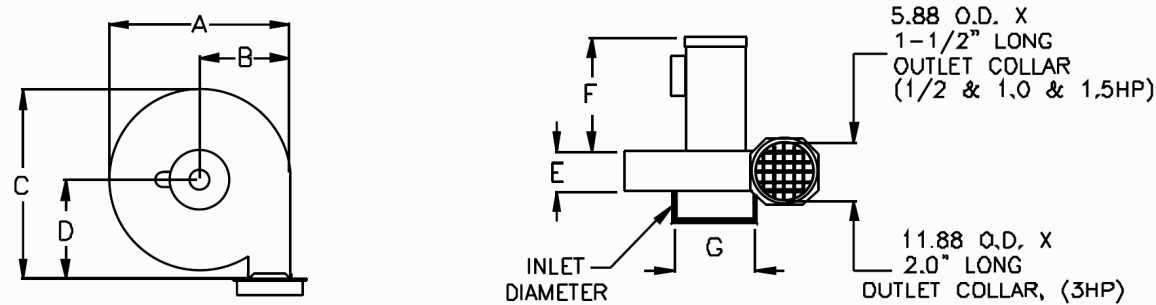
Specification Drawing



Drawing No.: -
Material: -
File Name: (14-08) Portable VES Fan - SD
Sheet: 1/2

GENERAL DIMENSIONS

	A	B	C	D	E	F	G	H
1/2&1.0&1.5HP	16.75	8.88	16.00	7.63	5.00	9.50 11.50	3.00, 4.50,	12.00
3HP	20.38	10.75	20.68	10.50	9.75	11.00	6.00, 8.00,	16.81

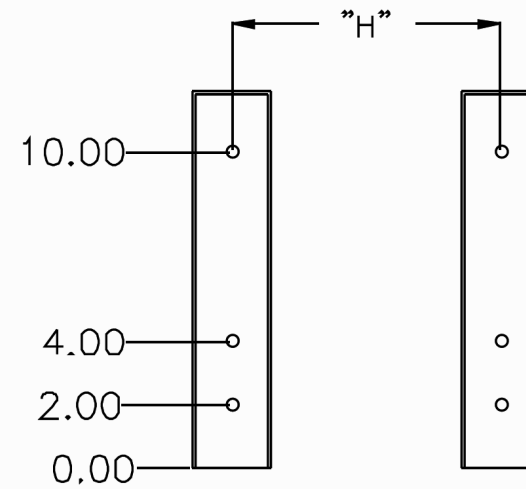


VES-1 HOSE SYSTEM

VES3-P-1/2 & 1.5HP

OPT. 1/2 HP & 1.5 HP MOTOR/BLOWER SPECIFICATIONS:

- 1/2 HP: 1/2 HP, C-flange, ball bearing motor with aluminum B.I. wheel with self-cleaning blades, AMCA type B spark resistant construction.
115/208-230/1/60*, 7.6 / 4.2-3.8 amps
208-230/460/575/3/60*, 1.8-1.5 / .75 / .6 amps
Outlet dBA: dBA
- 1.0 HP: 1.0 HP, Same as above but with more powerful blower for improved performance.
115/208-230/1/60*, 12.0 / 6.6-6 amps
208-230/460/575/3/60*, 3.6-3.2 / 1.6 / 1.3 amps
Outlet dBA: dBA
- 1.5 HP: 1.5 HP, Same as above but with more powerful blower for improved performance.
115/208-230/1/60*, 17 / 9.4-8.5 amps
208-230/460/575/3/60*, 4.8-4.2/2.1/1.7 amps
Outlet dBA: dBA
- 3 HP: 3 HP, Same as above but with more powerful blower for improved performance.
230/1/60*, 14.0 amps
208-230/460/575/3/60*, 8.8-8.0/4.0/3.2 amps
Outlet dBA: dBA



STD. WALL BRACKET MOUNTING PATTERN (1PN64001-(2) REQ'D) 1/2, 1.0, 1.5, AND 3HP (REAR VIEW)

NOTES:

ITEMS DESIGNATED AS ARE INCLUDED IN THIS PROPOSAL.

CUSTOMER:
CUSTOMER P.O.:
PROJECT:
ENGINEER:
SALES REP.:
IDENTIFICATION / TAGGING:

> www.lev-co.com • 1.888.862.5356

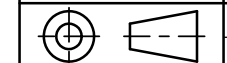


The device depicted and described hereon embodies proprietary information owned by the manufacturer. All design, manufacturing, reproduction, sales and patent rights regarding this device or drawing reserved except where explicit right is guaranteed in writing. We reserve the right to make design changes.

Drawn by:	JANOS B
Date:	9/23/2013
Scale:	NTS
Weight:	N/A

14-08 PortableVES Fan

Specification Drawing



Drawing No.:	-	File Name:	(14-08) Portable VES Fan - SD
Material:	-	Sheet:	2/2